

Functions Overview

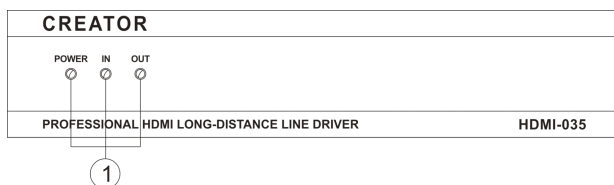
CREATOR Pt-HDMI-035 Wired Driver can carry on long-distance transportation over HDMI signal without any loss, with maximum transportation distance of 35m, ensuring high resolution display in a large application range, without extra wiring or transmission system. It's convenient in use.

Functions and Features

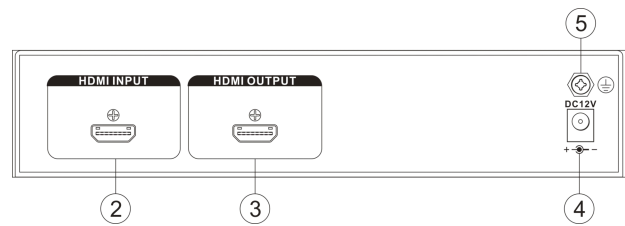
- ◆ Small size, convenient in use, no need to configure;
- ◆ 35m maximum input distance;
- ◆ 7m maximum output distance;
- ◆ 1-way signal input, 1-way signal output;
- ◆ Support Windows plug-and-play input;
- ◆ Maximum resolutions supported
Normal PC: 1600x1200@60_24bit
HDPC: 1920x1200@60_24bit
HDTV: 1920x1080@60Hz_36bit
- ◆ Support input and output signal display.

Panel Functions

Front panel:



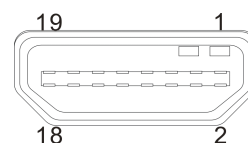
Rear panel:



- ① **POWER**——System power indicator, it is on when with normal power supply.
IN——Video input signal indicator, it is on when with signal.
OUT——Video output signal indicator, it is on when with signal.
- ② **HDMI INPUT**——HDMI video input port, adopting HDMI interface, connecting with the peripheral devices with HDMI video signal sources like PC with HDMI interface.
- ③ **HDMI OUTPUT**—— HDMI video output port, adopting HDMI interface, connecting with the peripheral devices like HDMI video signal sources like projector with HDMI interface.
- ④ System power input port——System power input DC 12V self-adaptive.
- ⑤ **Ground pole**

HDMI-A Type Line

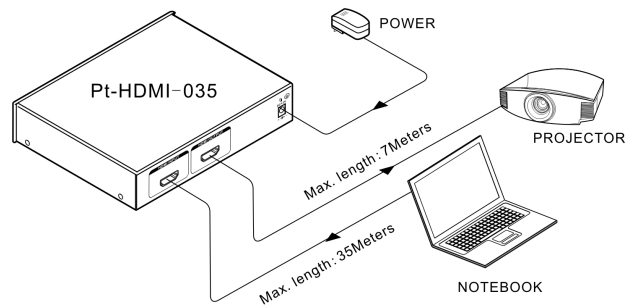
According to different situations, user may connect it to a variety of PC signals, AV signal devices like disc player, PC and graphic workstation, digital display stand etc. Output terminal can connect to projector, VCR, PC monitor and amplifier etc.



HDMI-A port pin definition

PIN	Function
1	TMDS Data2+
2	TMDS Data2 Shield
3	TMDS Data2-
4	TMDS Data1+
5	TMDS Data1 Shield
6	TMDS Data1-
7	TMDS Data0+
8	TMDS Data0 Shield
9	TMDS Data0-
10	TMDS Clock+
11	TMDS Clock Shield
12	TMDS Clock-
13	CEC
14	Reserved (in cable but N.C. on device)
15	SCL
16	SDA
17	DDC/CEC Ground
18	+5V Power
19	Hot Plug Detect

Connection Diagram



Technical Parameters

Video input type	1-way HDMI , HDMI interface
Video output type	1-way HDMI , HDMI interface
Input return loss	<-25dB@0~5MHz
Output return loss	-30dB@5MHz
Transportation distance	35m
THD+Noise	0.015%@1kHz rated level
SNR	>100 dB
Power	DC 12V
Size (mm)	215WX43.6HX164.5L
Consumption	5W
Weigh	Approx. 1.2KG